

Sensor - Messkabel

Die Walter Krenn Hochfrequenztechnik GmbH ist ein Familienbetrieb mit Sitz in Wien, welcher 1989 als Import und Export Handelsfirma gegründet wurde. Von Beginn an war die Rosenberger Hochfrequenztechnik GmbH und Co. KG, deren Produkte wir in Teilen Mitteleuropas sowie Südosteuropa vertreiben, unser wichtigster Vertragspartner. Aus dieser Position heraus erkannten wir die wachsende Nachfrage an rauscharmen Piezomesskabeln, welche wir durch unsere Erfahrung mit der Konfektionierung hochqualitativer Koaxialkabel bedienen konnten und beschlossen in diesen Markt vorzudringen. Aus unserem Bestreben heraus unseren Kunden die bestmöglichen Lösungen für ihre Anforderungen zu bieten, sahen wir in der Entwicklung und Fertigung eigener Sensorstecker eine Möglichkeit individuellen Kundenwünschen gerecht zu werden. Dementsprechend begannen wir Stecker von Grund auf neu zu konstruieren sowie Änderungen an bestehenden Steckern vorzunehmen. Im Laufe der letzten Jahrzehnte haben wir unsere Erfahrung kontinuierlich ausgebaut und uns als wettbewerbsfähiger Akteur am Sensorkabel-Markt etabliert. Als Zeugnis unserer Kompetenz dient dieser Katalog, welcher eine Auswahl unserer breiten Palette an selbst entwickelten Sensor-Steckverbindern präsentiert.

Heute, im Jahr 2024, blicken wir stolz auf eine 35-jährige Erfolgsgeschichte zurück und sind bestrebt, unseren Kunden weiterhin die bestmöglichen Produkte sowie einen unübertroffenen Kundenservice zu bieten.

We at Walter Krenn Hochfrequenztechnik GmbH are a family owned and run company founded in 1989, based in Vienna. Initially we started off as an import and export trading company with Rosenberger Hochfrequenztechnik GmbH & Co. KG as the main partner. As such we supplied their products to parts of middle Europe and southeast Europe. Recognizing the growing demand for low noise coaxial cables assemblies for piezoelectric sensors and equipped with the necessary expertise in high quality coaxial cable assembly we started venturing into this market whilst maintaining the partnership with Rosenberger. Striving to provide our customers with the best possible solution for their demands the need to design and produce our own specialized connectors became ever more clear. Thus we set off to design connectors from scratch and incorporating changes to existing designs to meet individual customer requests. Throughout the last decades we kept building our experience and establishing ourselves as a competitive actor in this field. Testimony to our expertise is this catalog which presents a selection of our broad range of homegrown sensor-connectors.

Today, in 2024, we are proudly looking back at a 35 year success story, eager to keep providing our customers with the best possible products as well as unmatched customer service.

	Seite
M3 Connector	5-7
M4 Connector	8-12
10-32 Connector	13-26
5-44 Connector	27-28
3-56 Connector	29
1/4" -28 Connector	30
7/16" -27 Connector	31-32
M10x1 Connector	33
BNC Connector	34-35
Adaptor	36-42
Cable	43
Cable-Assembly	44
Contact	45

M3×0,35 straight plug with fixed screwcap, IP68 Cable: RGL 196

X-M3-1A-02

Art.Nr.: N000000105

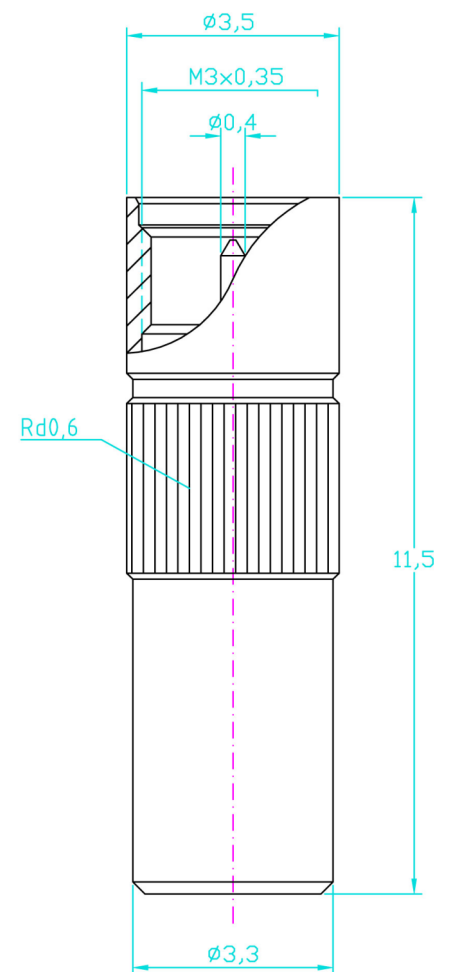


Technical Data

Electrical data	
Insulation resistance	$\geq 10^{14} \Omega$
Center contact resistance	$\leq 3,0 \text{ m}\Omega$
Outer contact resistance	$\leq 3,0 \text{ m}\Omega$
Test voltage	500 V rms
Contact current	$\leq 1,2 \text{ A DC typ.}$

Mechanical data	
Mating cycles	500 matings
Temperature range	-40 to +230°C
Degree of protection	IP68

Materials	
Outer contact	Stainless steel
Center contact	CuZn
Dielectric	PTFE
Plating center contact area	Ag



M3×0,35 straight plug
with outside threading, IP68
Cable: RGL 196

X-M3-1A-01
Art.Nr.: N000000106

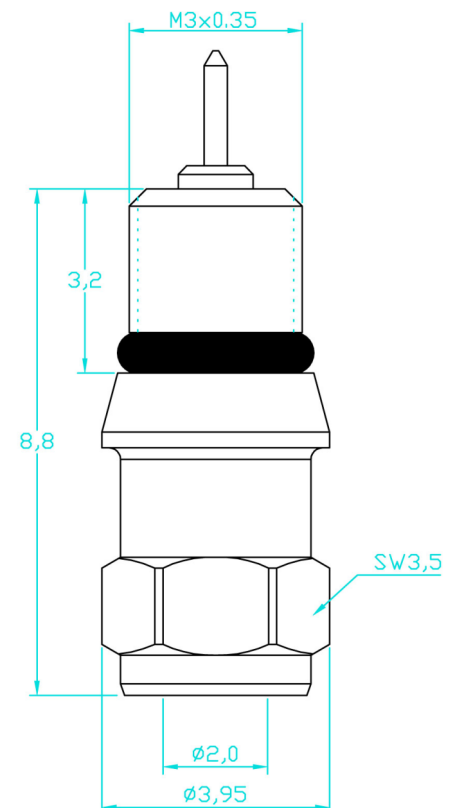


Technical Data

Electrical data	
Insulation resistance	$\geq 10^{14} \Omega$
Center contact resistance	$\leq 3,0 \text{ m}\Omega$
Outer contact resistance	$\leq 3,0 \text{ m}\Omega$
Test voltage	500 V rms
Contact current	$\leq 1,2 \text{ A DC typ.}$

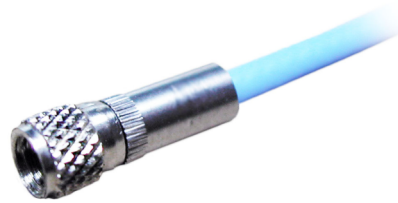
Mechanical data	
Mating cycles	500 matings
Temperature range	-40 to +230°C
Degree of protection	IP68

Materials	
Outer contact	Stainless steel
Center contact	CuZn
Dielectric	PTFE
Plating center contact area	Ag



M3×0,5 straight plug
with loosely screwcap, IP65
Cable: RGL 196

X-M3×0,5-1-1301-001
Art.Nr.: N000000149

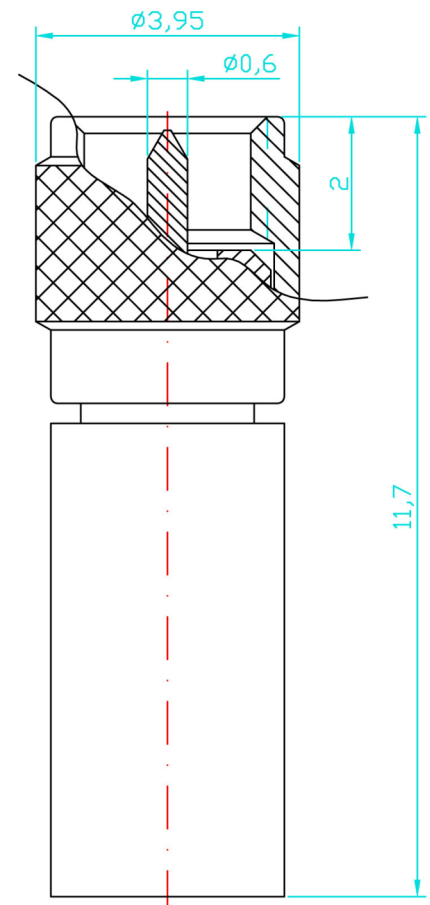


Technical Data

Electrical data	
Insulation resistance	$\geq 10^{14} \Omega$
Center contact resistance	$\leq 3,0 \text{ m}\Omega$
Outer contact resistance	$\leq 3,0 \text{ m}\Omega$
Test voltage	500 V rms
Contact current	$\leq 1,2 \text{ A DC typ.}$

Mechanical data	
Mating cycles	500 matings
Temperature range	-40 to +230°C
Degree of protection	IP65

Materials	
Outer contact	Stainless steel
Center contact	CuZn
Dielectric	PTFE
Plating center contact area	Ag



M4×0,35 straight plug

with fixed screwcap, IP68

Cable: RGL 196

X-M4-1-1301-001

Art.Nr.: N000000107

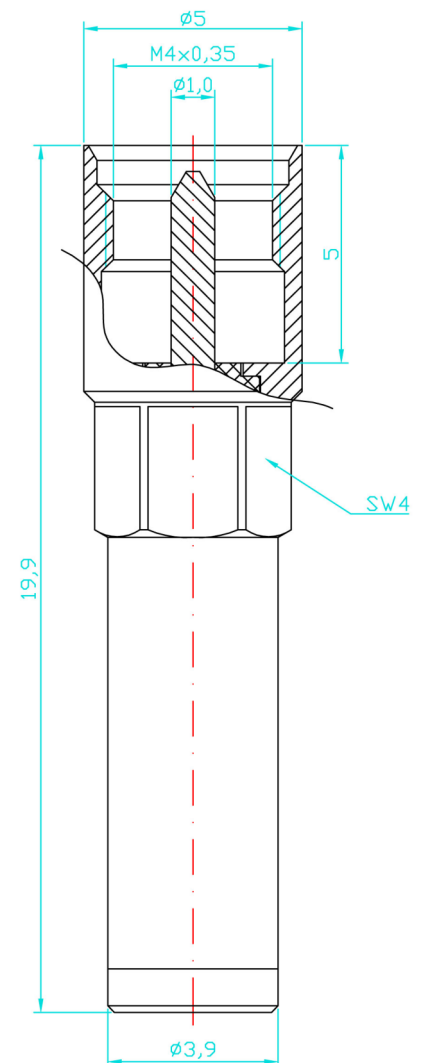


Technical Data

Electrical data	
Insulation resistance	$\geq 10^{14} \Omega$
Center contact resistance	$\leq 3,0 \text{ m}\Omega$
Outer contact resistance	$\leq 3,0 \text{ m}\Omega$
Test voltage	500 V rms
Contact current	$\leq 1,2 \text{ A DC typ.}$

Mechanical data	
Mating cycles	500 matings
Temperature range	-40 to +230°C
Degree of protection	IP68

Materials	
Outer contact	Stainless steel
Center contact	CuZn
Dielectric	PTFE
Plating center contact area	Ag



M4×0,35 straight plug
with fixed screwcap, IP68
Cable: RGL 196 armoured

X-M4-1-1301-002
Art.Nr.: N000000108

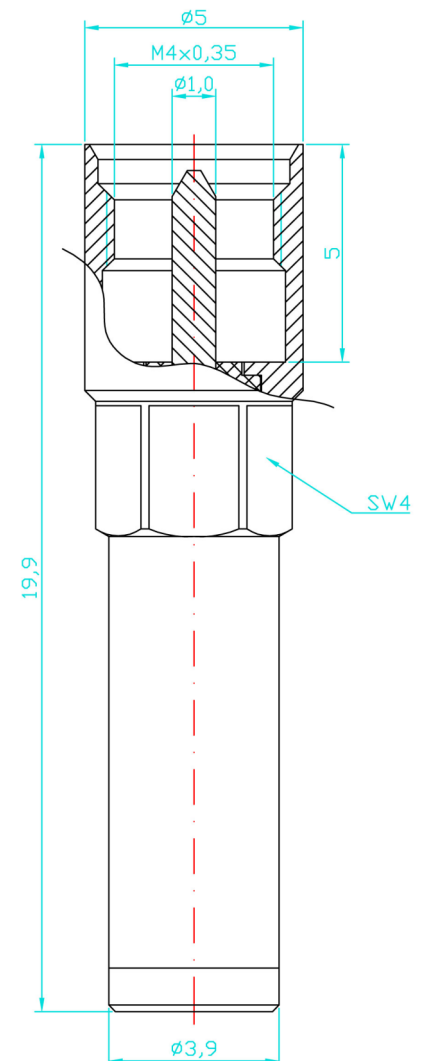


Technical Data

Electrical data	
Insulation resistance	$\geq 10^{14} \Omega$
Center contact resistance	$\leq 3,0 \text{ m}\Omega$
Outer contact resistance	$\leq 3,0 \text{ m}\Omega$
Test voltage	500 V rms
Contact current	$\leq 1,2 \text{ A DC typ.}$

Mechanical data	
Mating cycles	500 matings
Temperature range	-40 to +230°C
Degree of protection	IP68

Materials	
Outer contact	Stainless steel
Center contact	CuZn
Dielectric	PTFE
Plating center contact area	Ag



M4×0,35 straight plug
with loosely screwcap, IP65
Cable: RGL 196

X-M4-1-1301-003
Art.Nr.: N000000109

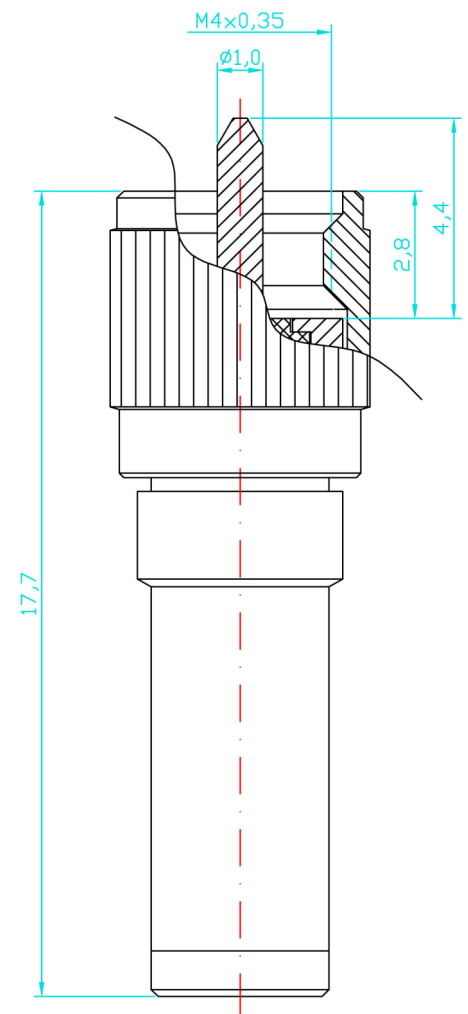


Technical Data

Electrical data	
Insulation resistance	$\geq 10^{14} \Omega$
Center contact resistance	$\leq 3,0 \text{ m}\Omega$
Outer contact resistance	$\leq 3,0 \text{ m}\Omega$
Test voltage	500 V rms
Contact current	$\leq 1,2 \text{ A DC typ.}$

Mechanical data	
Mating cycles	500 matings
Temperature range	-40 to +230°C
Degree of protection	IP65

Materials	
Outer contact	Stainless steel/ CuZn
Center contact	CuZn
Dielectric	PTFE
Plating center contact area	Ag



M4×0,35 straight plug
with lossely screwcap, IP65
Cable: RGL 196 armoured

X-M4-1-1301-004
Art.Nr.: N000000110

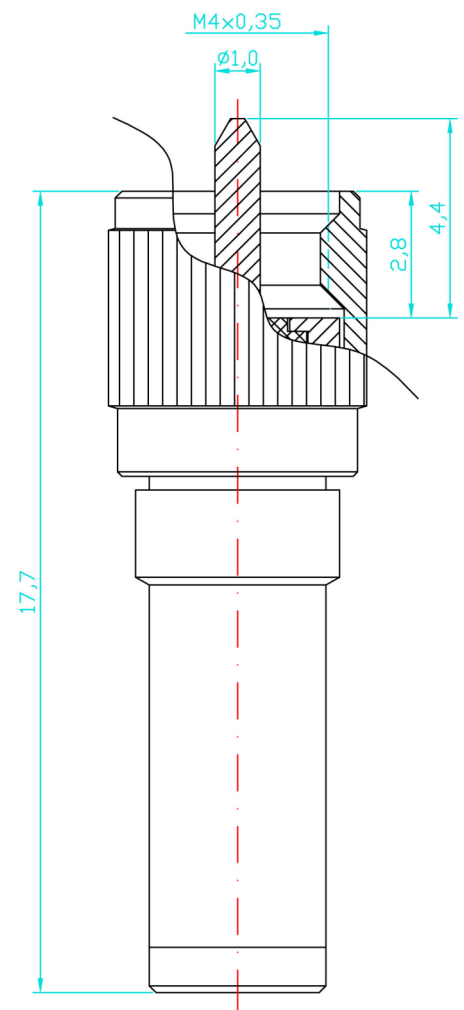


Technical Data

Electrical data	
Insulation resistance	$\geq 10^{14} \Omega$
Center contact resistance	$\leq 3,0 \text{ m}\Omega$
Outer contact resistance	$\leq 3,0 \text{ m}\Omega$
Test voltage	500 V rms
Contact current	$\leq 1,2 \text{ A DC typ.}$

Mechanical data	
Mating cycles	500 matings
Temperature range	-40 to +230°C
Degree of protection	IP65

Materials	
Outer contact	Stainless steel/ CuZn
Center contact	CuZn
Dielectric	PTFE
Plating center contact area	Ag



M4 straight jack

IP40

Cable: RGL 196

X-M4-2-1001-001

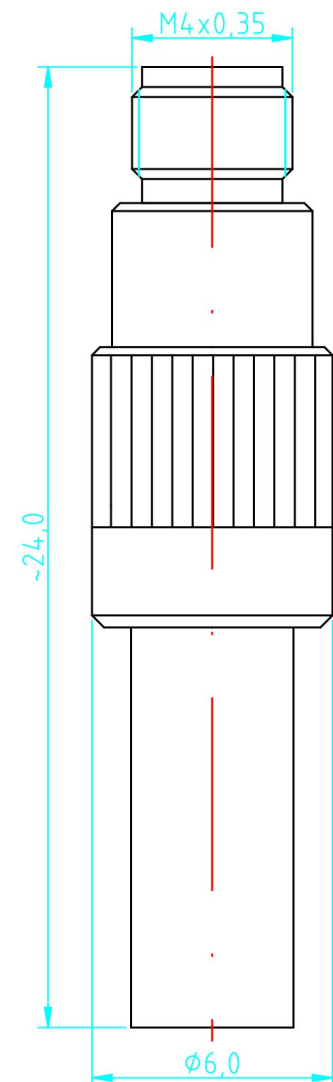
Art.Nr.: N000000256

Technical Data

Electrical data	
Insulation resistance	$\geq 10^{14} \Omega$
Center contact resistance	$\leq 3,0 \text{ m}\Omega$
Outer contact resistance	$\leq 3,0 \text{ m}\Omega$
Test voltage	500 V rms
Contact current	$\leq 1,2 \text{ A DC typ.}$

Mechanical data	
Mating cycles	500 matings
Temperature range	-40 to +230°C
Degree of protection	IP40

Materials	
Outer contact	CuZn
Center contact	CuZn
Dielectric	PTFE
Plating outer contact area	Ni
Plating center contact area	Au



10-32 straight plug
with loosely screwcap, IP40
Cable: RGL 196

1032-1A-01
Art.Nr.: N000000018

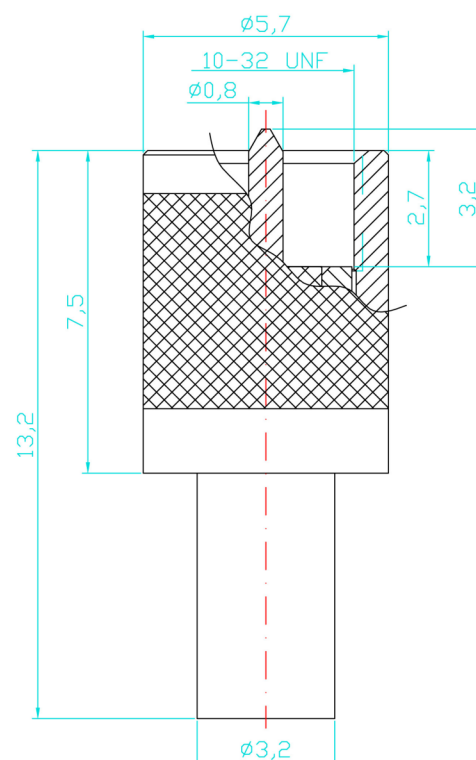


Technical Data

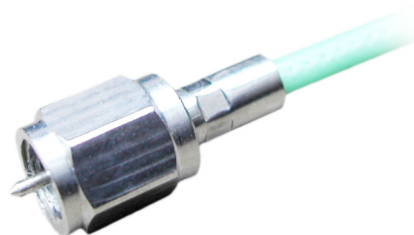
Electrical data	
Insulation resistance	$\geq 10^{14} \Omega$
Center contact resistance	$\leq 3,0 \text{ m}\Omega$
Outer contact resistance	$\leq 3,0 \text{ m}\Omega$
Test voltage	500 V rms
Contact current	$\leq 1,2 \text{ A DC typ.}$

Mechanical data	
Mating cycles	500 matings
Temperature range	-40 to +230°C
Degree of protection	IP40

Materials	
Outer contact	CuZn
Center contact	CuZn
Dielectric	PTFE
Plating outer contact area	Ni
Plating center contact area	Ag



10-32 straight plug
with loosely hexagon screwcap,
IP40
Cable: RGL 196



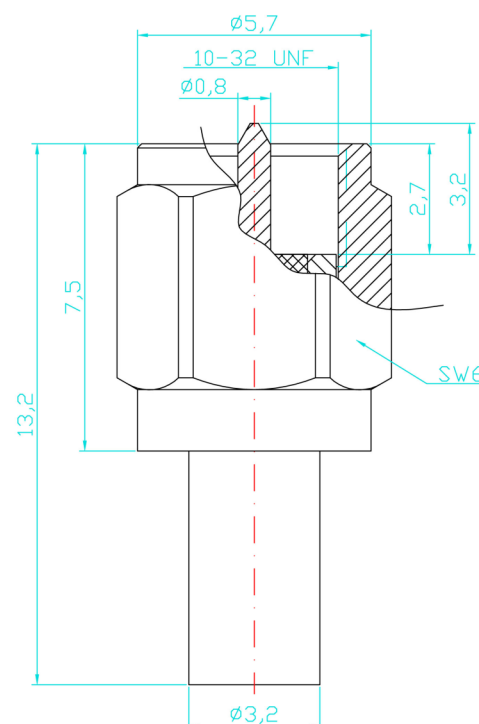
X-1032-1A-02
Art.Nr.: N000000068

Technical Data

Electrical data	
Insulation resistance	$\geq 10^{14} \Omega$
Center contact resistance	$\leq 3,0 \text{ m}\Omega$
Outer contact resistance	$\leq 3,0 \text{ m}\Omega$
Test voltage	500 V rms
Contact current	$\leq 1,2 \text{ A DC typ.}$

Mechanical data	
Mating cycles	500 matings
Temperature range	-40 to +230°C
Degree of protection	IP40

Materials	
Outer contact	CuZn
Center contact	CuZn
Dielectric	PTFE
Plating outer contact area	Ni
Plating center contact area	Ag



10-32 straight plug
 with loosely hexagon screwcap,
 with crimp sleeve, IP40
 Cable: RGL 174



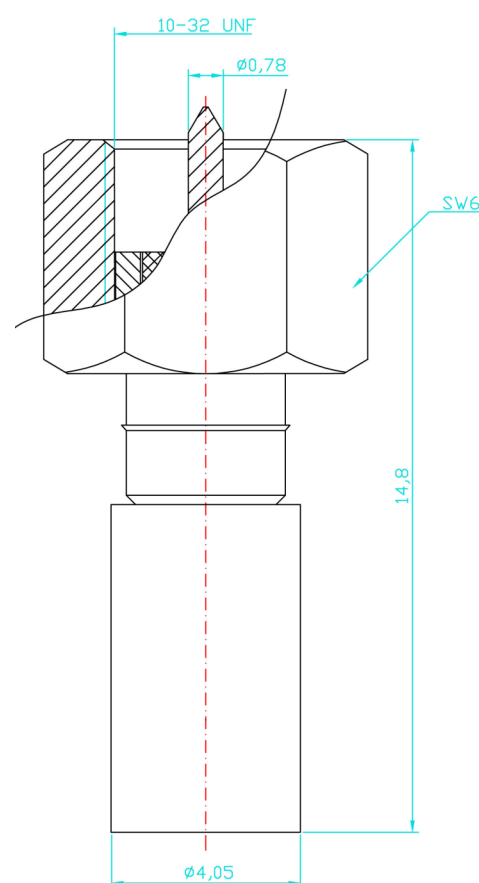
10-32-1-1302-001
 Art.Nr.: N000000053

Technical Data

Electrical data	
Insulation resistance	$\geq 10^{14} \Omega$
Center contact resistance	$\leq 3,0 \text{ m}\Omega$
Outer contact resistance	$\leq 3,0 \text{ m}\Omega$
Test voltage	500 V rms
Contact current	$\leq 1,2 \text{ A DC typ.}$

Mechanical data	
Mating cycles	500 matings
Temperature range	-40 to +230°C
Degree of protection	IP40

Materials	
Outer contact	CuZn
Center contact	CuZn
Dielectric	PTFE
Plating outer contact area	Ni
Plating center contact area	Ag



10-32 straight plug with fixed screwcap, IP68 Cable: RGL 196

X-10-32-1-1301-002
Art.Nr.: N000000045

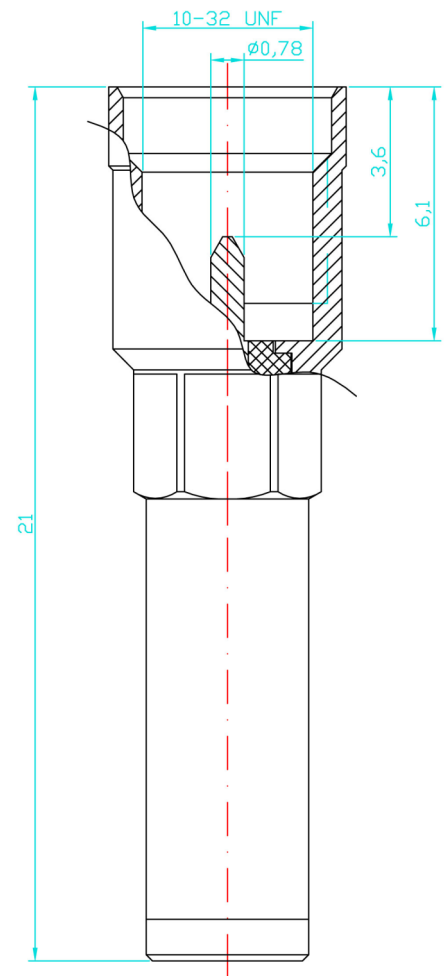


Technical Data

Electrical data	
Insulation resistance	$\geq 10^{14} \Omega$
Center contact resistance	$\leq 3,0 \text{ m}\Omega$
Outer contact resistance	$\leq 3,0 \text{ m}\Omega$
Test voltage	500 V rms
Contact current	$\leq 1,2 \text{ A DC typ.}$

Mechanical data	
Mating cycles	500 matings
Temperature range	-40 to +230°C
Degree of protection	IP68

Materials	
Outer contact	Stainless steel
Center contact	CuZn
Dielectric	PTFE
Plating center contact area	Au



10-32 straight plug

with fixed screwcap, IP68
Cable: RGL 196 armoured

X-10-32-1-1301-010

Art.Nr.: N000000335

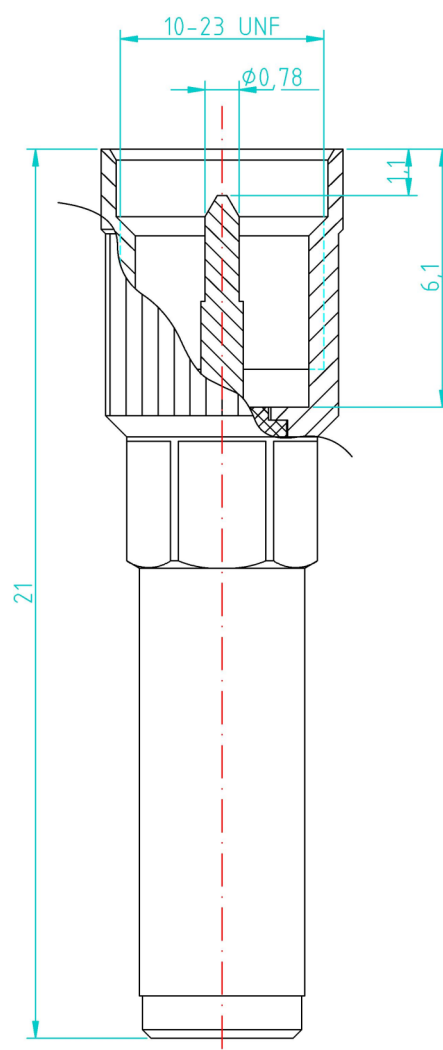


Technical Data

Electrical data	
Insulation resistance	$\geq 10^{14} \Omega$
Center contact resistance	$\leq 3,0 \text{ m}\Omega$
Outer contact resistance	$\leq 3,0 \text{ m}\Omega$
Test voltage	500 V rms
Contact current	$\leq 1,2 \text{ A DC typ.}$

Mechanical data	
Mating cycles	500 matings
Temperature range	-40 to + 230°C
Degree of protection	IP 68

Materials	
Outer contact	Stainless steel
Center contact	CuZn
Dielectric	PTFE
Plating center contact area	Ag



10-32 straight plug
with fixed screwcap, IP68
Cable: RGL 196 armoured

X-10-32-1-1201-003
Art.Nr.: N000000111

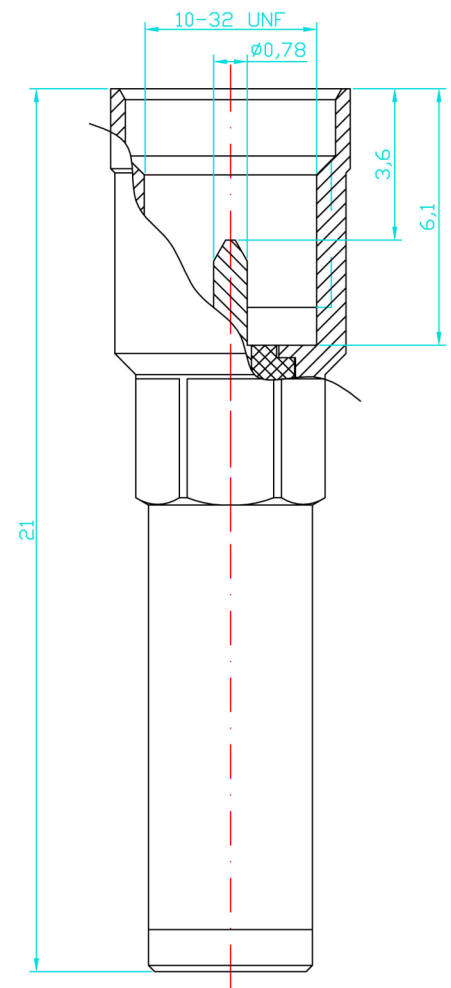


Technical Data

Electrical data	
Insulation resistance	$\geq 10^{14} \Omega$
Center contact resistance	$\leq 3,0 \text{ m}\Omega$
Outer contact resistance	$\leq 3,0 \text{ m}\Omega$
Test voltage	500 V rms
Contact current	$\leq 1,2 \text{ A DC typ.}$

Mechanical data	
Mating cycles	500 matings
Temperature range	-40 to +230°C
Degree of protection	IP68

Materials	
Outer contact	Stainless steel
Center contact	CuZn
Dielectric	PTFE
Plating center contact area	Ag



10-32 straight plug

with fixed screwcap, IP68

Cable: RGL 196

X-10-32-1-1301-012

Art.Nr.: N000000339

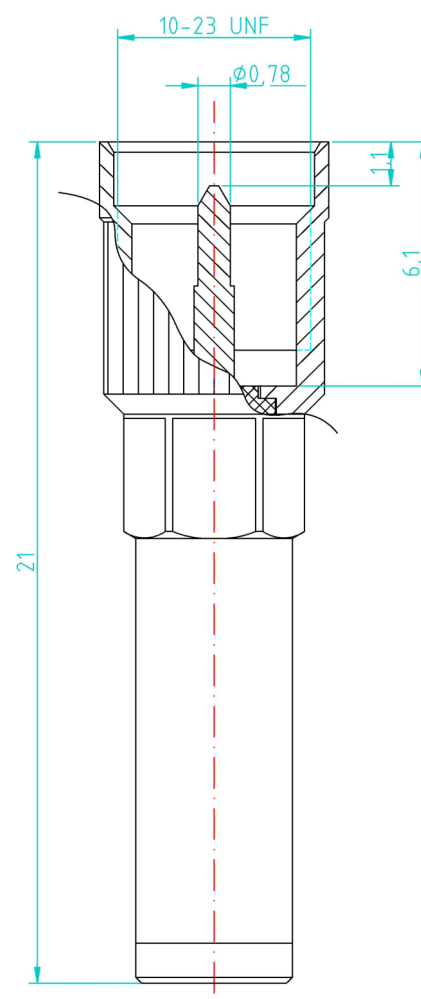


Technical Data

Electrical data	
Insulation resistance	$\geq 10^{14} \Omega$
Center contact resistance	$\leq 3,0 \text{ m}\Omega$
Outer contact resistance	$\leq 3,0 \text{ m}\Omega$
Test voltage	500 V rms
Contact current	$\leq 1,2 \text{ A DC typ.}$

Mechanical data	
Mating cycles	500 matings
Temperature range	-40 to + 230°C
Degree of protection	IP 68

Materials	
Outer contact	Stainless steel
Center contact	CuZn
Dielectric	PTFE
Plating center contact area	Ag



10-32 straight plug
with loosely screwcap, IP65
Cable: RGL 196

X-10-32-1-1301-004
Art.Nr.: N000000112

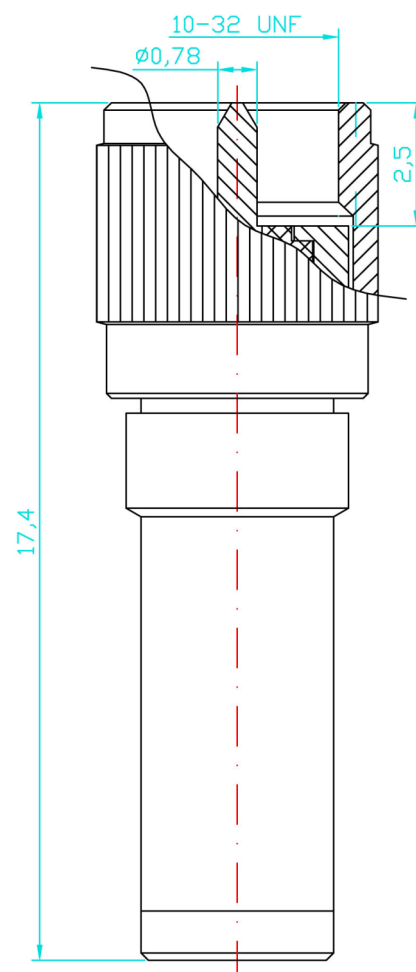


Technical Data

Electrical data	
Insulation resistance	$\geq 10^{14} \Omega$
Center contact resistance	$\leq 3,0 \text{ m}\Omega$
Outer contact resistance	$\leq 3,0 \text{ m}\Omega$
Test voltage	500 V rms
Contact current	$\leq 1,2 \text{ A DC typ.}$

Mechanical data	
Mating cycles	500 matings
Temperature range	-40 to +230°C
Degree of protection	IP65

Materials	
Outer contact	Stainless steel/ CuZn
Center contact	CuZn
Dielectric	PTFE
Plating center contact area	Ag



10-32 straight plug
with loosely screwcap, IP65
Cable: RGL 196 armoured

X-10-32-1-1301-005
Art.Nr.: N000000071

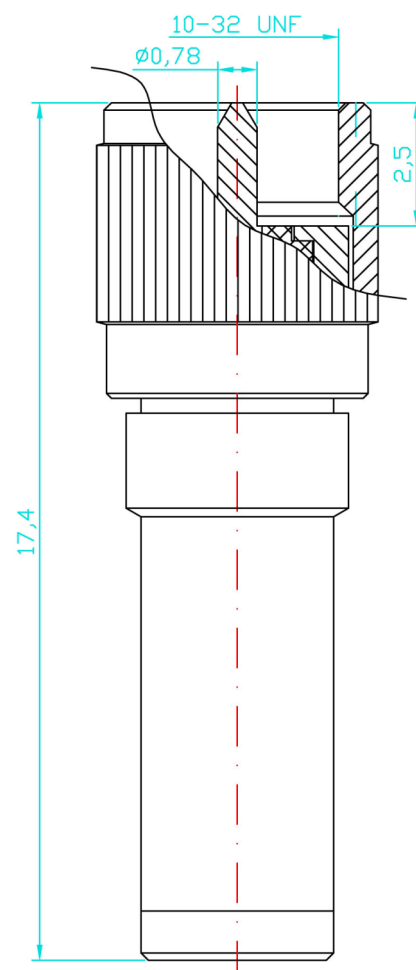


Technical Data

Electrical data	
Insulation resistance	$\geq 10^{14} \Omega$
Center contact resistance	$\leq 3,0 \text{ m}\Omega$
Outer contact resistance	$\leq 3,0 \text{ m}\Omega$
Test voltage	500 V rms
Contact current	$\leq 1,2 \text{ A DC typ.}$

Mechanical data	
Mating cycles	500 matings
Temperature range	-40 to +230°C
Degree of protection	IP65

Materials	
Outer contact	Stainless steel/ CuZn
Center contact	CuZn
Dielectric	PTFE
Plating center contact area	Ag



10-32 straight jack

IP40

Cable: RGL 196

X-10-32-2-1301-001

Art.Nr.: N000000150

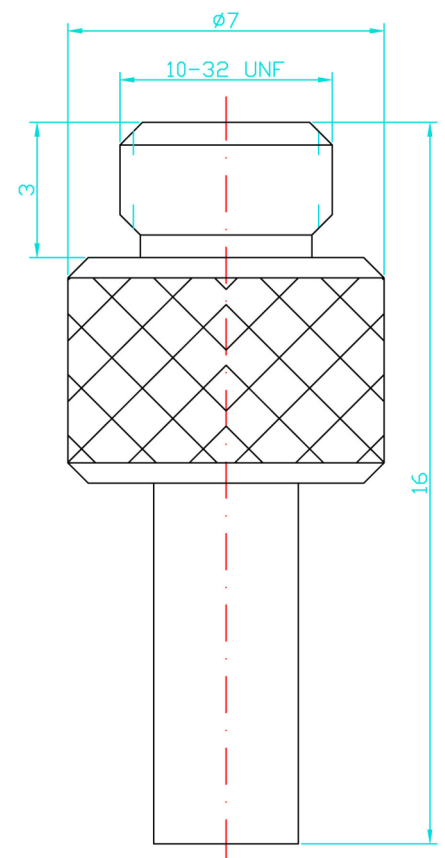


Technical Data

Electrical data	
Insulation resistance	$\geq 10^{14} \Omega$
Center contact resistance	$\leq 3,0 \text{ m}\Omega$
Outer contact resistance	$\leq 3,0 \text{ m}\Omega$
Test voltage	500 V rms
Contact current	$\leq 1,2 \text{ A DC typ.}$

Mechanical data	
Mating cycles	500 matings
Temperature range	-40 to +230°C
Degree of protection	IP40

Materials	
Outer contact	CuZn
Center contact	CuZn
Dielectric	PTFE
Plating outer contact area	Ni
Plating center contact area	Au



10-32 straight plug

with loosely hexagon screwcap, IP40

Cable: for 1mm cable

1032-1-100A-001

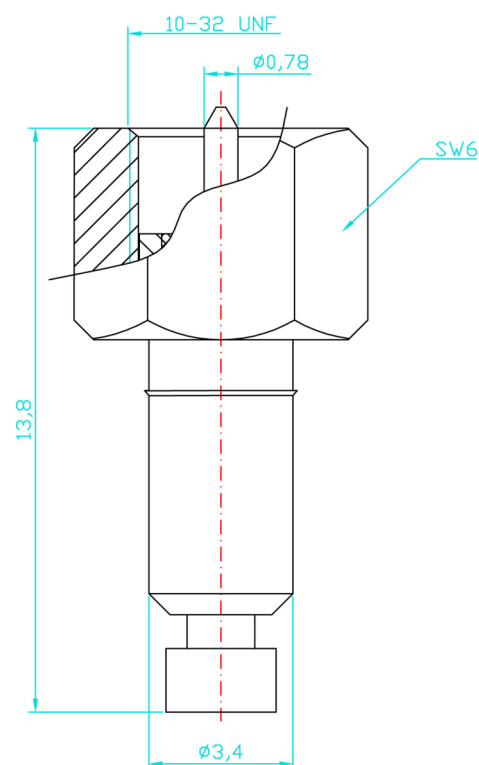
Art.Nr.: N000000019

Technical Data

Electrical data	
Insulation resistance	$\geq 10^{14} \Omega$
Center contact resistance	$\leq 3,0 \text{ m}\Omega$
Outer contact resistance	$\leq 3,0 \text{ m}\Omega$
Test voltage	500 V rms
Contact current	$\leq 1,2 \text{ A DC typ.}$

Mechanical data	
Mating cycles	500 matings
Temperature range	-40 to +230°C
Degree of protection	IP40

Materials	
Outer contact	CuZn
Center contact	CuZn
Dielectric	PTFE
Plating outer contact area	Ni
Plating center contact area	Ag



10-32 straight plug with loosely screwcap, IP40 Cable: for 1mm cable

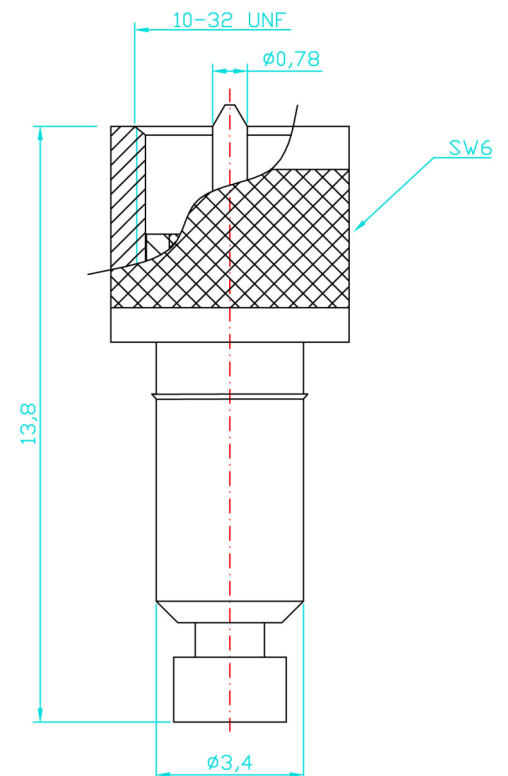
1032-1-100A-002

Technical Data

Electrical data	
Insulation resistance	$\geq 10^{14} \Omega$
Center contact resistance	$\leq 3,0 \text{ m}\Omega$
Outer contact resistance	$\leq 3,0 \text{ m}\Omega$
Test voltage	500 V rms
Contact current	$\leq 1,2 \text{ A DC typ.}$

Mechanical data	
Mating cycles	500 matings
Temperature range	-40 to +230°C
Degree of protection	IP40

Materials	
Outer contact	CuZn
Center contact	CuZn
Dielectric	PTFE
Plating outer contact area	Ni
Plating center contact area	Ag



10-32 Right Angle plug with loosely screwcap, IP68 Cable: RGL 196

X-10-32-1-2001-001
Art.Nr.: N000000328

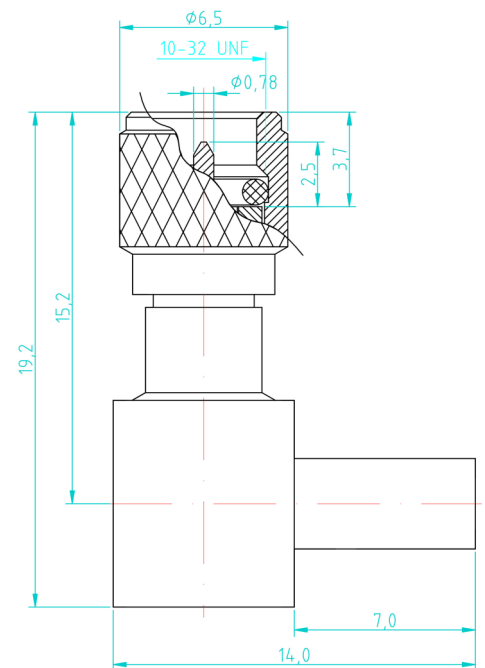


Technical Data

Electrical data	
Insulation resistance	$\geq 10^{14} \Omega$
Center contact resistance	$\leq 3,0 \text{ m}\Omega$
Outer contact resistance	$\leq 3,0 \text{ m}\Omega$
Test voltage	500 V rms
Contact current	$\leq 1,2 \text{ A DC typ.}$

Mechanical data	
Mating cycles	500 matings
Temperature range	-40 to +230°C
Degree of protection	IP68

Materials	
Outer contact	CuZn
Center contact	CuZn
Dielectric	PTFE
Plating outer contact area	CuSnZn
Plating center contact area	Ag



Technical Data

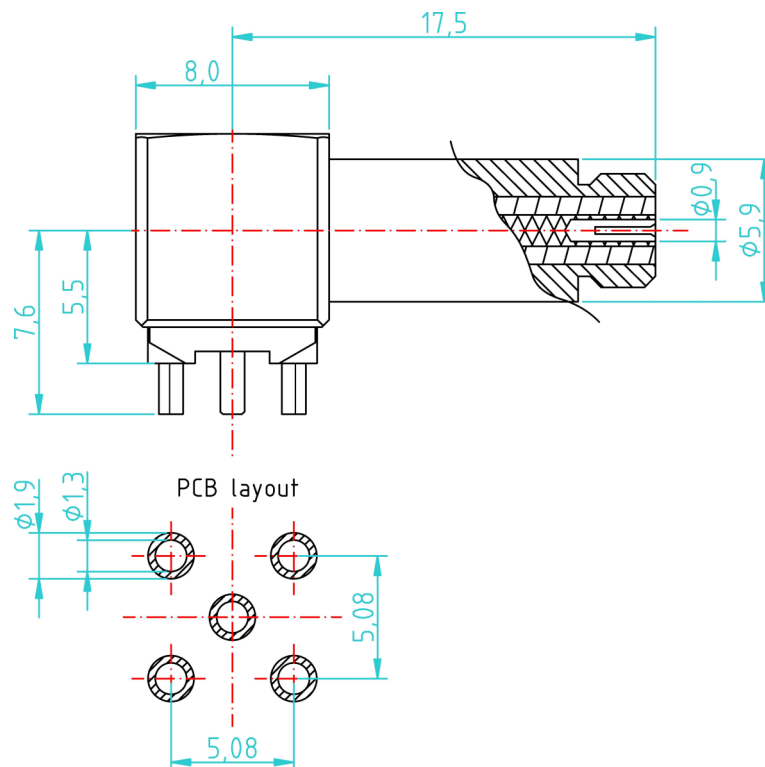
Electrical data	
Insulation resistance	$\geq 10^{14} \Omega$
Center contact resistance	$\leq 3,0 \text{ m}\Omega$
Outer contact resistance	$\leq 3,0 \text{ m}\Omega$
Test voltage	500V rms
Contact current	$\leq 1,2 \text{ A DC typ.}$

10-32 angle print coupler
IP40

X-10-32-2-2400-001
Art.Nr.: N000000382

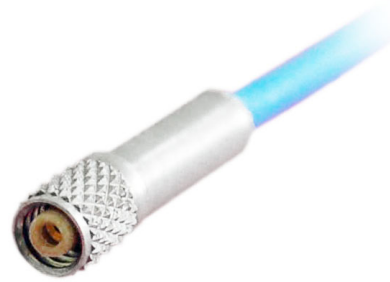
Mechanical data	
Mating cycles	500 matings
Temperature range	-40 to + 230°C
Degree of protection	IP 40

Materials	
Outer contact	CuZn
Center contact	CuZn
Dielectric	PTFE
Plating outer contact area	Ag
Plating center contact area	Ag



5-44 straight jack
with loosely screwcap, IP65
Cable: RGL 196 and
for 1mm cable

X-544-1-1001-001
Art.Nr.: N000000126

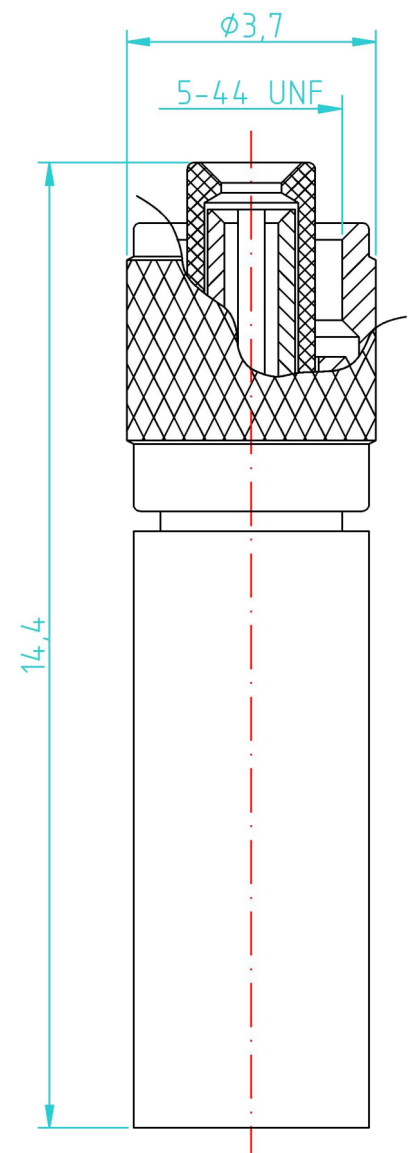


Technical Data

Electrical data	
Insulation resistance	$\geq 10^{14} \Omega$
Center contact resistance	$\leq 3,0 \text{ m}\Omega$
Outer contact resistance	$\leq 3,0 \text{ m}\Omega$
Test voltage	500 V rms
Contact current	$\leq 1,2 \text{ A DC typ.}$

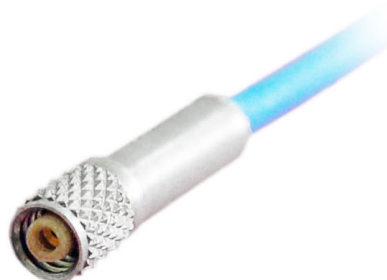
Mechanical data	
Mating cycles	500 matings
Temperature range	-40 to +230°C
Degree of protection	IP65

Materials	
Outer contact	CuZn
Center contact	CuSn
Dielectric	PEEK
Plating outer contact area	Ni
Plating center contact area	Au



5-44 straight plug
with loosely screwcap, IP65
Cable: RGL 196 and
for 1mm cable

X-544-1-1001-002
Art.Nr.: N000000323

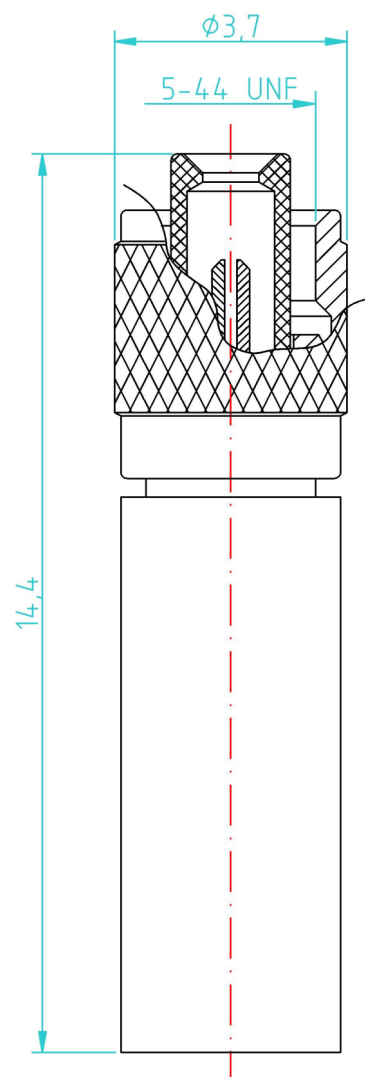


Technical Data

Electrical data	
Insulation resistance	$\geq 10^{14} \Omega$
Center contact resistance	$\leq 3,0 \text{ m}\Omega$
Outer contact resistance	$\leq 3,0 \text{ m}\Omega$
Test voltage	500 V rms
Contact current	$\leq 1,2 \text{ A DC typ.}$

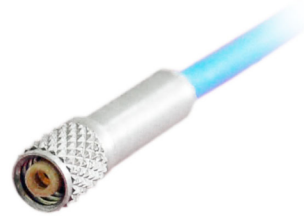
Mechanical data	
Mating cycles	500 matings
Temperature range	-40 to + 230°C
Degree of protection	IP 65

Materials	
Outer contact	CuZn
Center contact	CuSn
Dielectric	PEEK
Plating outer contact area	Ni
Plating center contact area	Au



3-56 straight plug with loosely screwcap, IP65 Cable: for 1mm cable

X-3-56-2-1001-001
Art.Nr.: N000000146

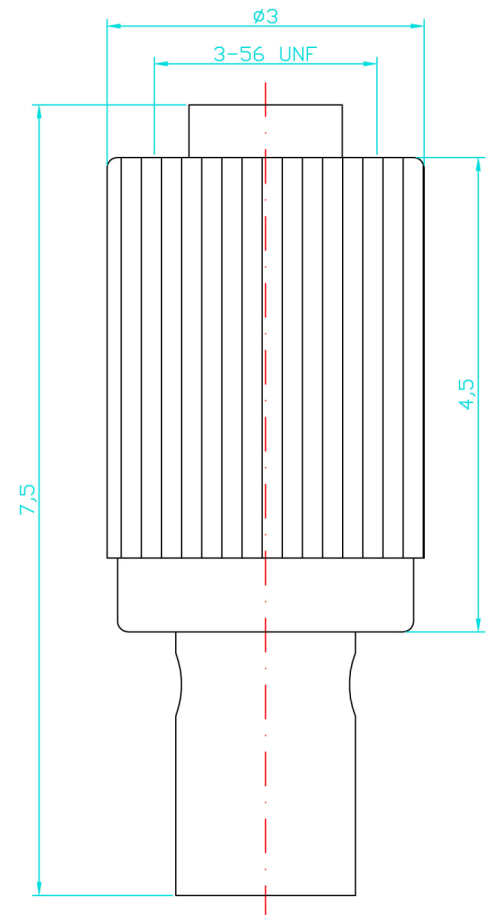


Technical Data

Electrical data	
Insulation resistance	$\geq 10^{14} \Omega$
Center contact resistance	$\leq 3,0 \text{ m}\Omega$
Outer contact resistance	$\leq 3,0 \text{ m}\Omega$
Test voltage	500 V rms
Contact current	$\leq 1,2 \text{ A DC typ.}$

Mechanical data	
Mating cycles	500 matings
Temperature range	-40 to +230°C
Degree of protection	IP65

Materials	
Outer contact	CuZn
Center contact	CuSn
Dielectric	PEEK
Plating outer contact area	Ni
Plating center contact area	Au



1/4"-28 straight jack
4 pol., with loosely screwcap,
IP40

X-1/4"-28-1-1301-001
Art.Nr.: N000000015

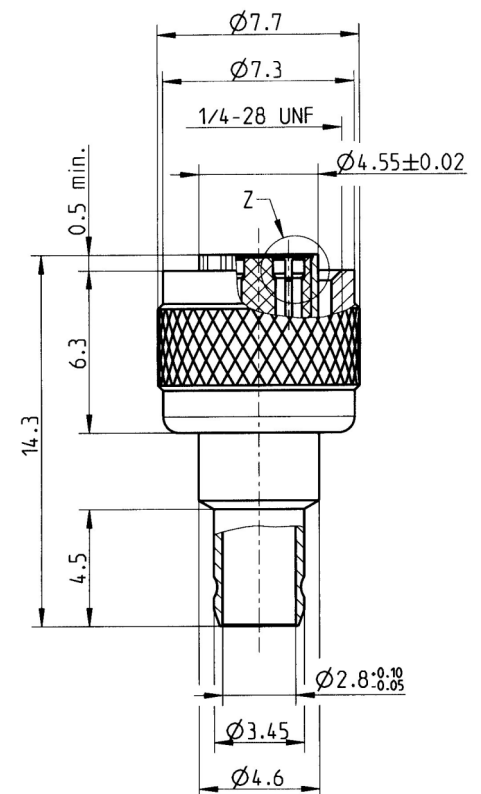


Technical Data

Electrical data	
Insulation resistance	$\geq 10^{14} \Omega$
Center contact resistance	$\leq 3,0 \text{ m}\Omega$
Outer contact resistance	$\leq 3,0 \text{ m}\Omega$
Test voltage	500 V rms
Contact current	$\leq 1,2 \text{ A DC typ.}$

Mechanical data	
Mating cycles	500 matings
Temperature range	-40 to +230°C
Degree of protection	IP40

Materials	
Outer contact	CuZn
Center contact	CuSn
Dielectric	PEEK
Plating outer contact area	Au
Plating center contact area	Au



2-Socket Jack 7/16"-27 Thread

2 pol., with loosely screwcap, IP40

X-716-2-10-SY-001

Art.Nr.: N000000261

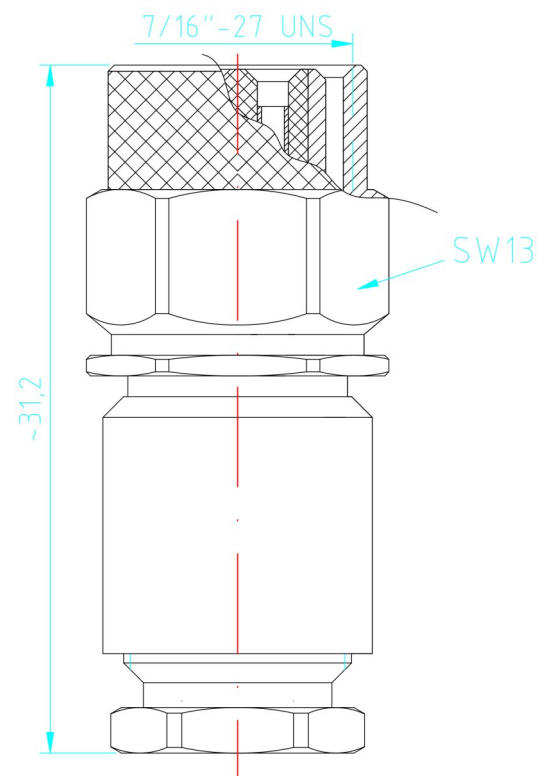


Technical Data

Electrical data	
Insulation resistance	$\geq 10^{14} \Omega$
Center contact resistance	$\leq 3,0 \text{ m}\Omega$
Outer contact resistance	$\leq 3,0 \text{ m}\Omega$
Test voltage	500 V rms
Contact current	$\leq 1,2 \text{ A DC typ.}$

Mechanical data	
Mating cycles	100 matings
Temperature range	-40 to +200°C
Degree of protection	IP40

Materials	
Outer contact	CuZn
Screwcap	Steel 1.4305
Center contact	CuSn4Pb4Zn4
Dielectric	PEEK
Plating outer contact area	Ni
Plating center contact area	Au



2-Socket Plug 7/16"-27 Thread 2 pol., straight plug, IP40

X-716-1-10SY-001
Art.Nr.: N000000267

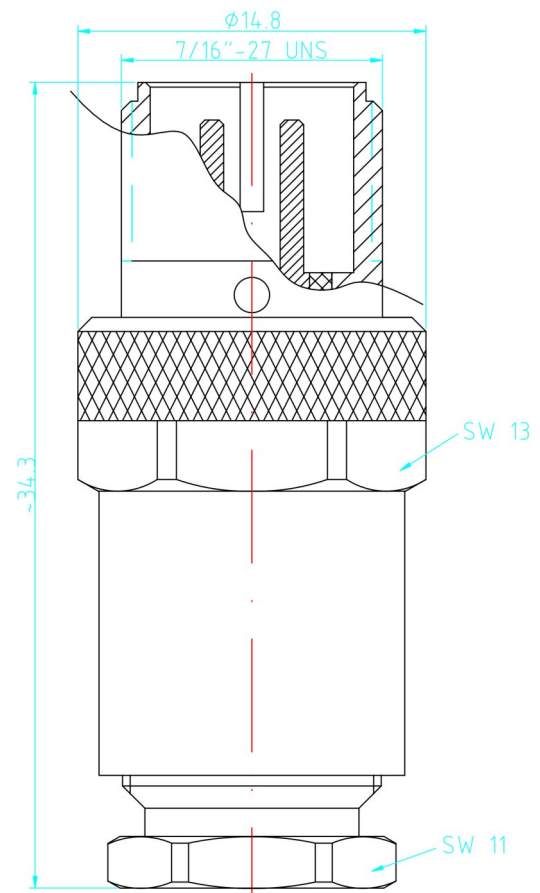


Technical Data

Electrical data	
Insulation resistance	$\geq 10^{14} \Omega$
Center contact resistance	$\leq 3,0 \text{ m}\Omega$
Outer contact resistance	$\leq 3,0 \text{ m}\Omega$
Test voltage	500 V rms
Contact current	$\leq 1,2 \text{ A DC typ.}$

Mechanical data	
Mating cycles	100 matings
Temperature range	-40 to +200°C
Degree of protection	IP40

Materials	
Outer contact	CuZn
Center contact	CuZn
Dielectric	PEEK
Plating outer contact area	Ni
Plating center contact area	Au



M10×1 straight plug
 solder-clamp, IP68
 Cable: RGL 196 FPM armiert

X-M10-1-1001-001
 Art.Nr.: N000000097

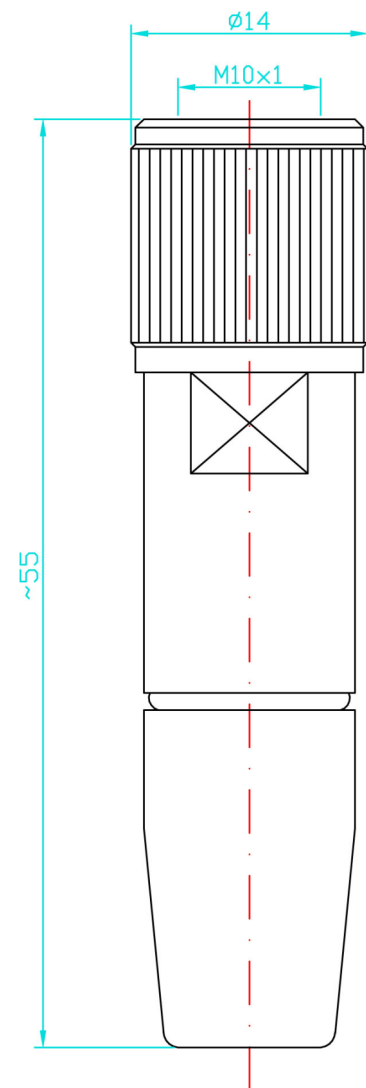


Technical Data

Electrical data	
Insulation resistance	$\geq 10^{14} \Omega$
Center contact resistance	$\leq 3,0 \text{ m}\Omega$
Outer contact resistance	$\leq 3,0 \text{ m}\Omega$
Test voltage	500 V rms
Contact current	$\leq 1,2 \text{ A DC typ.}$

Mechanical data	
Mating cycles	500 matings
Temperature range	-40 to +230°C
Degree of protection	IP68

Materials	
Outer contact	CuZn
Center contact	CuZn
Dielectric	PTFE
Plating outer contact area	Ni
Plating center contact area	Ag



BNC straight plug

fullcrimp, IP40
Cable: RGL 196

X-BNC-1A-01
Art.Nr.: 102687

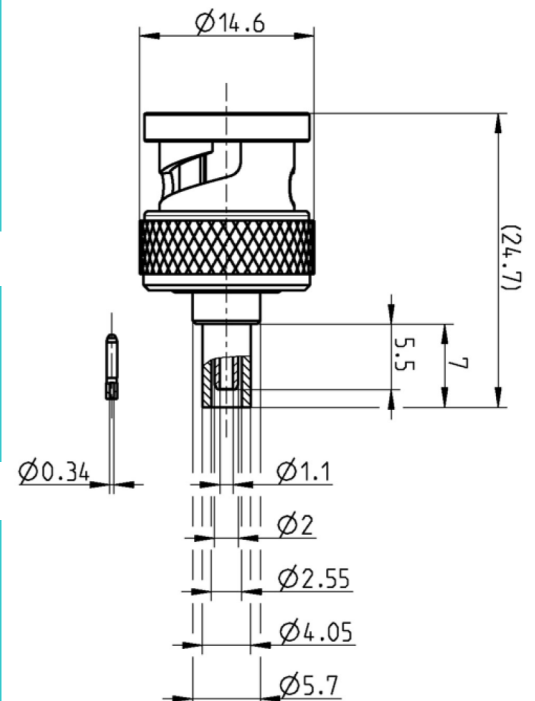


Technical Data

Electrical data	
Insulation resistance	$\geq 10^{14} \Omega$
Center contact resistance	$\leq 3,0 \text{ m}\Omega$
Outer contact resistance	$\leq 3,0 \text{ m}\Omega$
Test voltage	500 V rms
Contact current	$\leq 1,2 \text{ A DC typ.}$

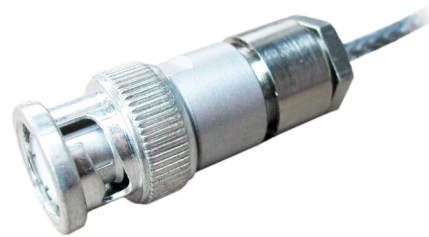
Mechanical data	
Mating cycles	500 matings
Temperature range	-40 to +230°C
Degree of protection	IP40

Materials	
Outer contact	CuZn
Center contact	CuZn
Dielectric	PTFE
Plating outer contact area	Ni
Plating center contact area	Au



BNC straight plug
 solder-clamp, IP40
 Cable: RGL 196 armoured

X-BNC-1-1001-001
 Art.Nr.: N000000084

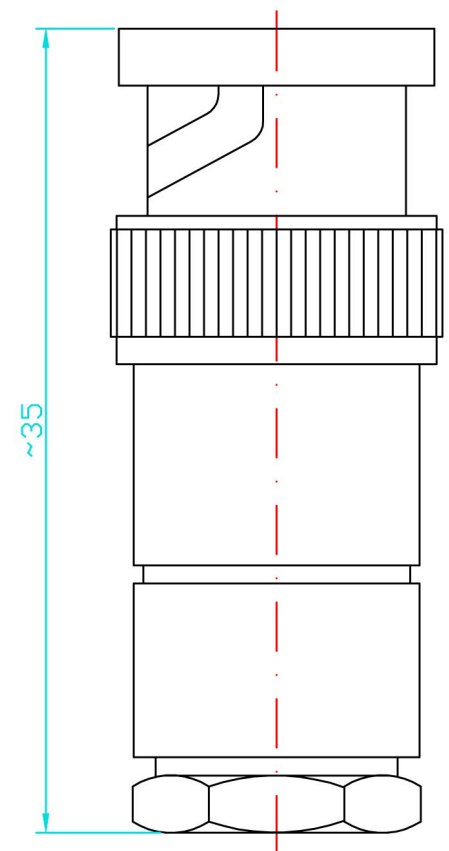


Technical Data

Electrical data	
Insulation resistance	$\geq 10^{14} \Omega$
Center contact resistance	$\leq 3,0 \text{ m}\Omega$
Outer contact resistance	$\leq 3,0 \text{ m}\Omega$
Test voltage	500 V rms
Contact current	$\leq 1,2 \text{ A DC typ.}$

Mechanical data	
Mating cycles	500 matings
Temperature range	-40 to +230°C
Degree of protection	IP40

Materials	
Outer contact	CuZn
Center contact	CuZn
Dielectric	PTFE
Plating outer contact area	Ni
Plating center contact area	Au



M3×0,35(f) - BNC(m)
IP40

X-M3-0-BNC-1
Art.Nr.: N000000164

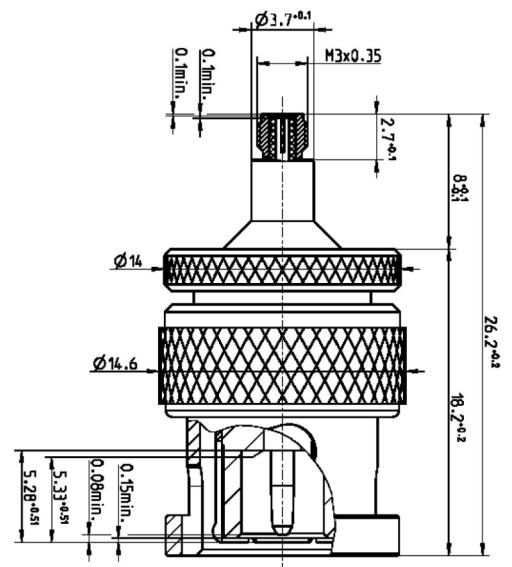


Technical Data

Electrical data	
Insulation resistance	$\geq 10^{14} \Omega$
Center contact resistance	$\leq 3,0 \text{ m}\Omega$
Outer contact resistance	$\leq 3,0 \text{ m}\Omega$
Test voltage	500 V rms
Contact current	$\leq 1,2 \text{ A DC typ.}$

Mechanical data	
Mating cycles	500 matings
Temperature range	-40 to +230°C
Degree of protection	IP40

Materials	
Outer contact	CuZn
Center contact	CuSn
Dielectric	PTFE
Plating outer contact area	Ni
Plating center contact area	Au



M3×0,5(f) - BNC(m)
IP40

X-M3×0,5-2-BNC50-1-001
Art.Nr.: N000000140

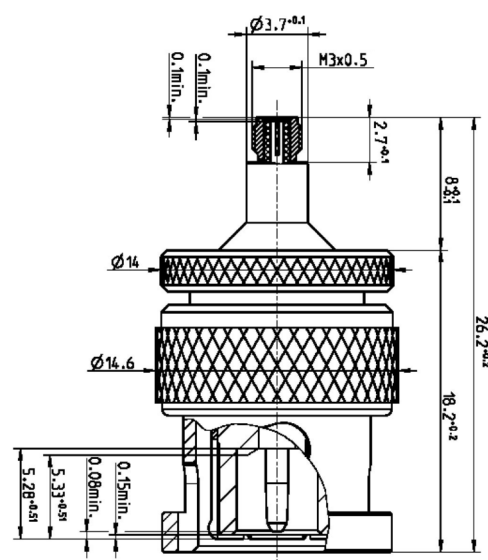


Technical Data

Electrical data	
Insulation resistance	$\geq 10^{14} \Omega$
Center contact resistance	$\leq 3,0 \text{ m}\Omega$
Outer contact resistance	$\leq 3,0 \text{ m}\Omega$
Test voltage	500 V rms
Contact current	$\leq 1,2 \text{ A DC typ.}$

Mechanical data	
Mating cycles	500 matings
Temperature range	-40 to +230°C
Degree of protection	IP40

Materials	
Outer contact	CuZn
Center contact	CuSn
Dielectric	PTFE
Plating outer contact area	Ni
Plating center contact area	Au



M4×0,35(f) - BNC(m)
IP40

X-M4-0-BNC-1
Art.Nr.: XM4-0-BNC1

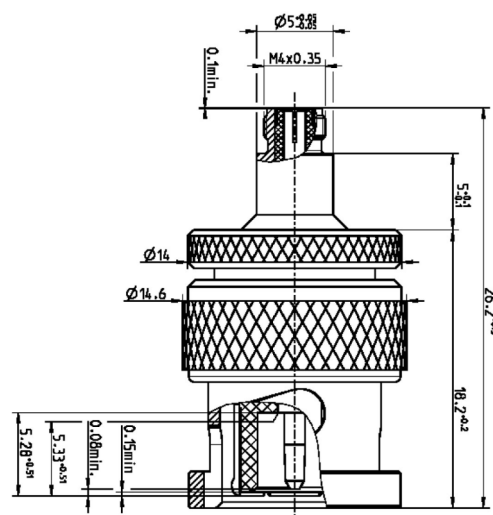


Technical Data

Electrical data	
Insulation resistance	$\geq 10^{14} \Omega$
Center contact resistance	$\leq 3,0 \text{ m}\Omega$
Outer contact resistance	$\leq 3,0 \text{ m}\Omega$
Test voltage	500 V rms
Contact current	$\leq 1,2 \text{ A DC typ.}$

Mechanical data	
Mating cycles	500 matings
Temperature range	-40 to +230°C
Degree of protection	IP40

Materials	
Outer contact	CuZn
Center contact	CuSn
Dielectric	PTFE
Plating outer contact area	Ni
Plating center contact area	Au



10-32(f) - BNC(m) IP40

X-1032-0-BNC-1
Art.Nr.: N000000035

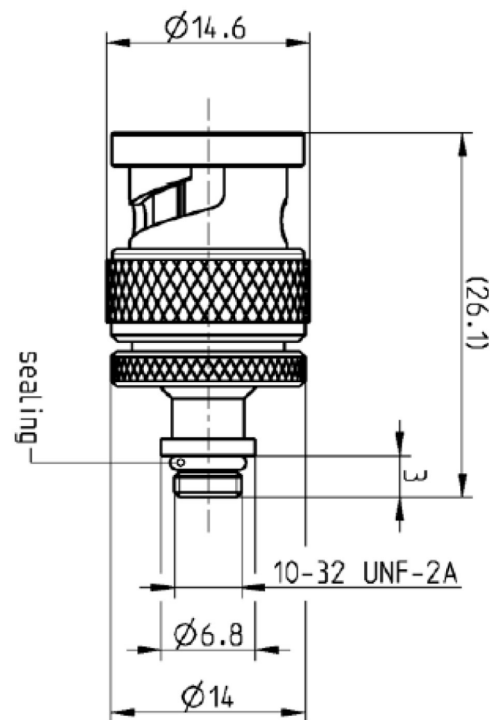


Technical Data

Electrical data	
Insulation resistance	$\geq 10^{14} \Omega$
Center contact resistance	$\leq 3,0 \text{ m}\Omega$
Outer contact resistance	$\leq 3,0 \text{ m}\Omega$
Test voltage	500 V rms
Contact current	$\leq 1,2 \text{ A DC typ.}$

Mechanical data	
Mating cycles	500 matings
Temperature range	-40 to +230°C
Degree of protection	IP40

Materials	
Outer contact	CuZn
Center contact	CuSn
Dielectric	PTFE
Plating outer contact area	Ni
Plating center contact area	Au

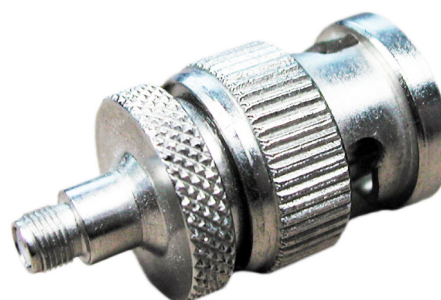


5-44(m) - BNC(m)

IP40

X-5-44-1-BNC50-1-001

Art.Nr.: N000000139

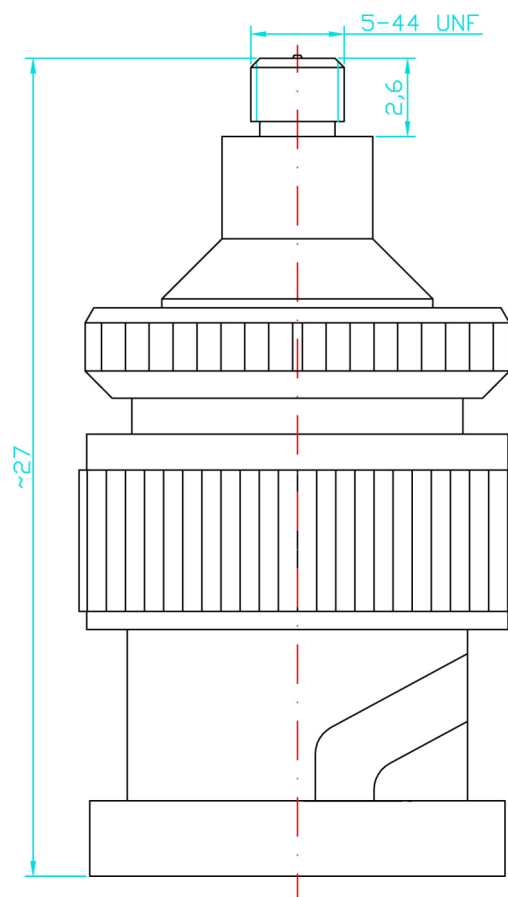


Technical Data

Electrical data	
Insulation resistance	$\geq 10^{14} \Omega$
Center contact resistance	$\leq 3,0 \text{ m}\Omega$
Outer contact resistance	$\leq 3,0 \text{ m}\Omega$
Test voltage	500 V rms
Contact current	$\leq 1,2 \text{ A DC typ.}$

Mechanical data	
Mating cycles	500 matings
Temperature range	-40 to +230°C
Degree of protection	IP40

Materials	
Outer contact	CuZn
Center contact	CuSn
Dielectric	PTFE
Plating outer contact area	Ni
Plating center contact area	Au



3-56(m) - BNC(m) IP40

X-3-56-1-BNC50-1-001
Art.Nr.: N000000142

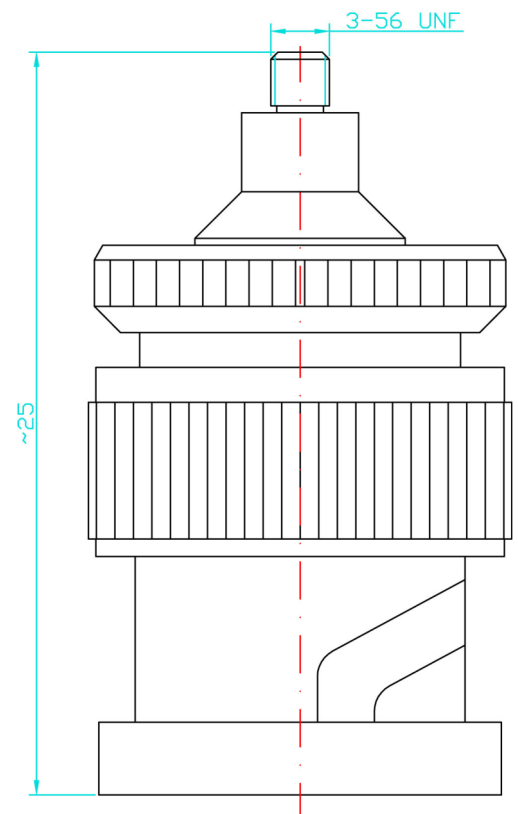


Technical Data

Electrical data	
Insulation resistance	$\geq 10^{14} \Omega$
Center contact resistance	$\leq 3,0 \text{ m}\Omega$
Outer contact resistance	$\leq 3,0 \text{ m}\Omega$
Test voltage	500 V rms
Contact current	$\leq 1,2 \text{ A DC typ.}$

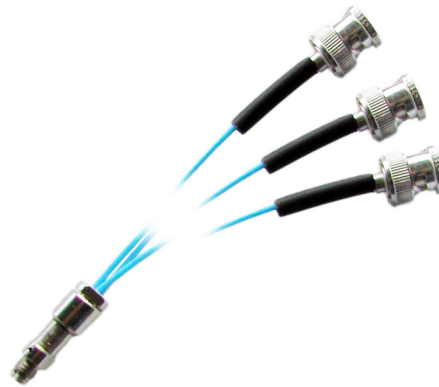
Mechanical data	
Mating cycles	500 matings
Temperature range	-40 to +230°C
Degree of protection	IP40

Materials	
Outer contact	CuZn
Center contact	CuSn
Dielectric	PTFE
Plating outer contact area	Ni
Plating center contact area	Au



1/4"-28(m) - 3×BNC(m)
IP40

X-1/4"-28-1-BNC50-1-001
Art.Nr.: N000000141

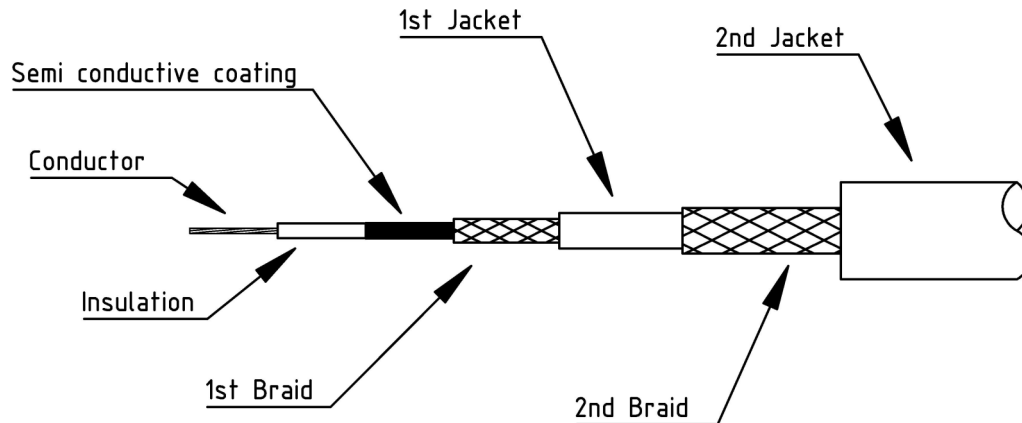


Technical Data

Electrical data	
Insulation resistance	$\geq 10^{14} \Omega$
Center contact resistance	$\leq 3,0 \text{ m}\Omega$
Outer contact resistance	$\leq 3,0 \text{ m}\Omega$
Test voltage	500 V rms
Contact current	$\leq 1,2 \text{ A DC typ.}$

Mechanical data	
Mating cycles	500 matings
Temperature range	-40 to +230°C
Degree of protection	IP40

Materials	
Outer contact	CuZn
Center contact	CuZn
Dielectric	PTFE
Plating outer contact area	Ni
Plating center contact area	Au



Article No.	Conductor	Insulation	Semi conductive coating	1st Braid	1st Jacket	2nd Braid	2nd Jacket	Temperature-range
OFL0.00051 SML 50 PFA	CuAg 1 × 0,16 Ø 0,16	PTFE Ø 0,52	PTFE semi c. Ø 0,54	CuAg Ø 0,80	PFA Ø 1,00	-	-	-65/+200 °C
OFL0.00053 RGL196PTFE	CuNi 1 × 0,254 Ø 0,254	PTFE Ø 0,80	PTFE semi c. Ø 0,90	CuAg Ø 1,40 ≥ 90%	PTFE Ø1,92	-	-	-190/+200 °C
OFL0.00059 RGL 196 FPM	CuAg 7 × 0,10 Ø 0,32	PTFE Ø 0,90	PTFE semi c. Ø 1,00	CuAg Ø 1,50 ≥ 90%	FPM Ø 2,4	-	-	-20/+180 °C
OFL0.00060 RGL 174	Cu 7 × 0,15 Ø 0,45	PE Ø 1,40	PVC c. Ø 1,70	Cu Ø 2,20 92%	PVC Ø 2,90	-	-	-20/+70 °C
OFL0.00061 RGL 58	Cu 1 × 0,50 Ø 0,50	PE Ø 2,95	PVC c. Ø 3,40	Cu Ø 3,95 89%	PVC Ø 5,00	-	-	-20/+70 °C
OFL0.00055 RGL 196 PFA arm.	CuNi 1 × 0,254 Ø 0,254	PTFE Ø 0,80	PTFE semi c. Ø 0,90	CuAg Ø 1,40 ≥ 90%	PTFE Ø1,92	St Ø 2,40	-	-190/+200 °C
OFL0.00047 RGL 196 Triax	CuNi 1 × 0,254 Ø 0,254	PTFE Ø 0,80	PTFE semi c. Ø 0,90	CuAg Ø 1,40 ≥ 90%	PTFE Ø1,90	CuAg Ø 2,40 ≥ 90%	FPM Ø3,60	-20/+200°C
OFL0.00057 RGL 196 FPM arm.	CuStAg 7 × 0,10 Ø 0,30	PTFE Ø 0,85	PTFE semi c. Ø 0,88	CuAlAg Ø 1,35 > 90%	PFA Ø 2,00	St Ø 2,60 > 85%	FPM Ø5,50	-55/+200 °C
OFL0.00056 RGL 196 PFA arm. TPE/U	CuStAg 7 × 0,10 Ø 0,30	PTFE Ø 0,85	PTFE semi c. Ø 0,88	CuAlAg Ø 1,35 > 90%	PFA Ø 2,00	St Ø 2,60 > 85%	Pu Ø5,50	-20/+80 °C

Kabel-Assembly

Wir fertigen Kabel- Assemblies mit jeder Steckerkombinationen und Kabellängen auf Kundenwunsch.

Bei einer Anfrage benötigen wir folgende Informationen:

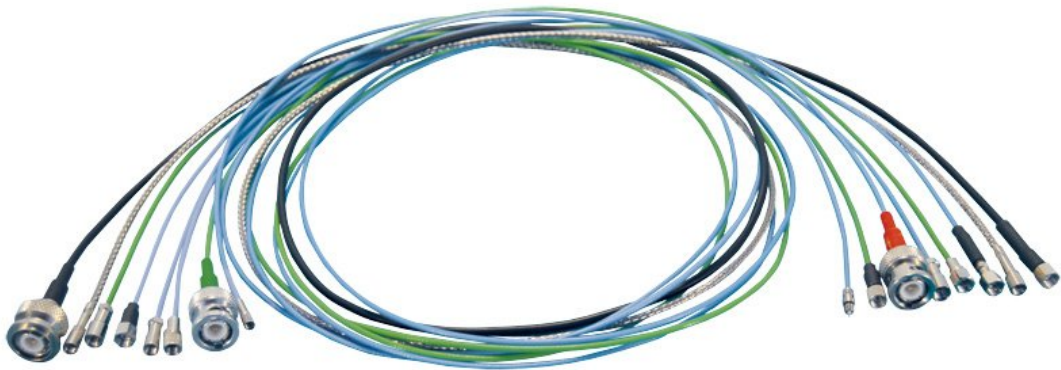
- Stecker Seite 1
- Stecker Seite 2
- Kabel-Typ
- Länge
- sonstige Anforderungen (Schrumpfschlauch, wasserdicht, usw.)

Cable-Assembly

We manufacture cable assemblies on customer request with any combination of connector and cable lengths.

In a request, we need the following information:

- Connector Side 1
- Connector Side 2
- cable-type
- length
- other requirements (heat shrink tubing, waterproof, etc.)



Walter Krenn Hochfrequenztechnik GmbH

Simmeringer Hauptstraße 421
A-1110 Vienna
AUSTRIA

Tel.: +43 1 748 71 17 - 0
Fax.: +43 1 748 71 17 - 90

E-Mail: info@krenn.at
Internet: <http://www.krenn.at/>